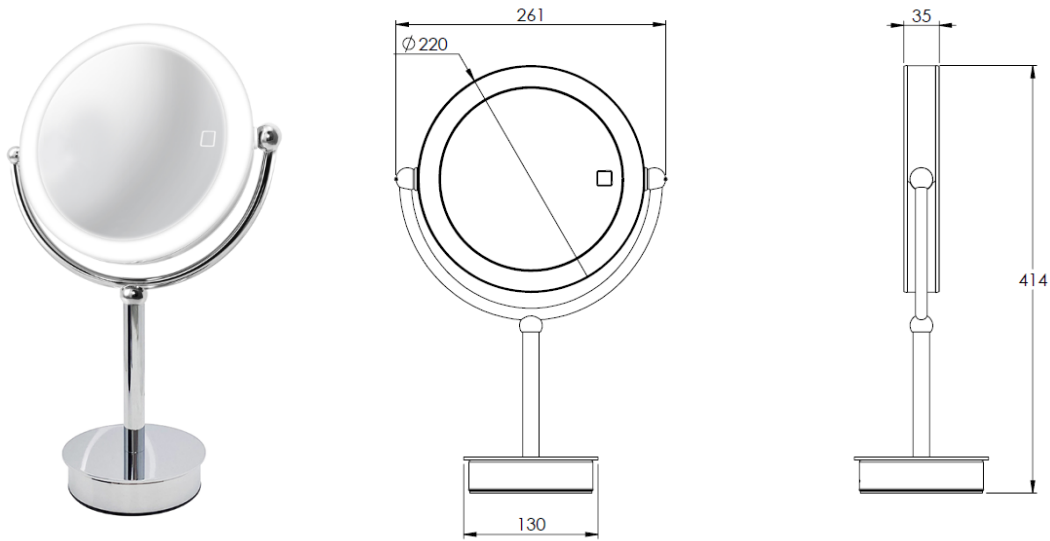


8.6" Recharge Double Sided Table Mirror

Model # ATED22ST5R (Chrome)

02 Jan 2026



Features:

- Round acrylic diffuser lens avoid shadow and direct glare.
- 5X magnifying mirror for detailed makeup, eyebrow tweezing, and shaving.
- Full face size. Plain mirror for full face viewing and hair dressing.
- 360-degree rotation and fit for use on difference angle.
- Automatic turns off in 5 minutes, energy saving.
- Natural white light, no color shifting, not bluish or yellowish.
- Optical quality mirror without distortion image, no pin holes or chip on edge.
- Color rendering index: over 95% sunlight spectrum.
- Durable LED, last more than 50,000 hours.
- High quality spray black matte finish - free fingerprint.
- Fully replaceable mirror set for hassle-free maintenance.



Type C charging port with Red, Yellow, Green indicator

Specification:

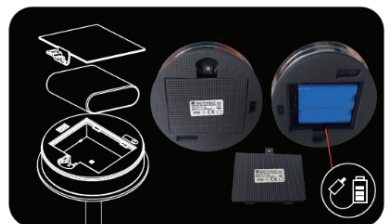
LED : Full sunlight spectrum, CRI 95, 5000K

Diameter : 220mm (8.6")

Height : 414mm

Mirror : 1X, 5X (460R)

Touch switch : Holding switch for dimming
Light setting is memorized
5 min Auto Off



Replaceable Lithium ion battery
One charge last for 4 weeks

Power by : Recharge Lithium ion battery with 6600mAh (Replaceable)

Charging : 1.5 M Type C charging cable included double protection charging circuit

Finishing : Chrome