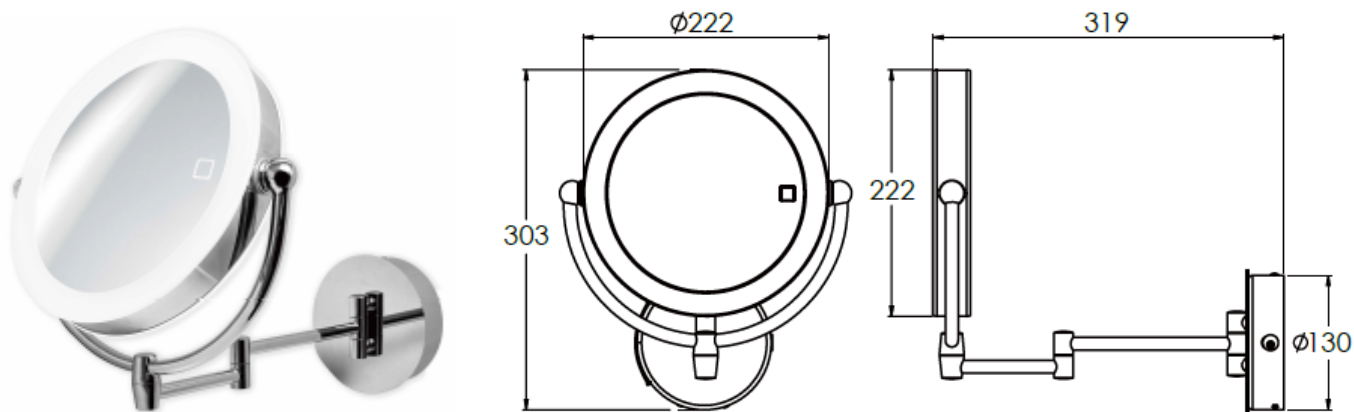


# 8.6" Double Sided Touch Wall Mirror

Model # ATED22SHW52 (Chrome) (Hard Wire application)

27 Oct 2025



## Features:

- Double sided mirror with swing arm which can be extend and flip to high or low position.
- Full face size. Suitable for daily makeup, tweezing, shaving, face cleaning and flossing.
- 360-degree rotation and fit for use on difference angle.
- Natural white light, no color shifting, not bluish or yellowish.
- Automatic turns off in 10 minutes, energy saving.
- Optical quality mirror without distortion image, no pin holes or chip on edge.
- Full diffused ring light with no shadow or glare.
- Durable LED, last more than 50,000 hours.
- True color on face, color rendering index: over 95% sunlight spectrum.
- Brightly polished durable chrome finish, ever-lasting shininess.
- Sleek design with no mounting screw visible on the cover.
- Fully replaceable mirror set for hassle-free maintenance

## Specification:

LED	: Full sunlight spectrum, CRI 95, 5000K
Diameter	: 222mm
Length	: 319mm
Mirror	: 1X,5X (460R)
TouchSwitch	: Holding switch for dimming Light setting is memorized 10 mins Auto Off
Voltage	: Universal 100-240V
Finishing	: Chrome

