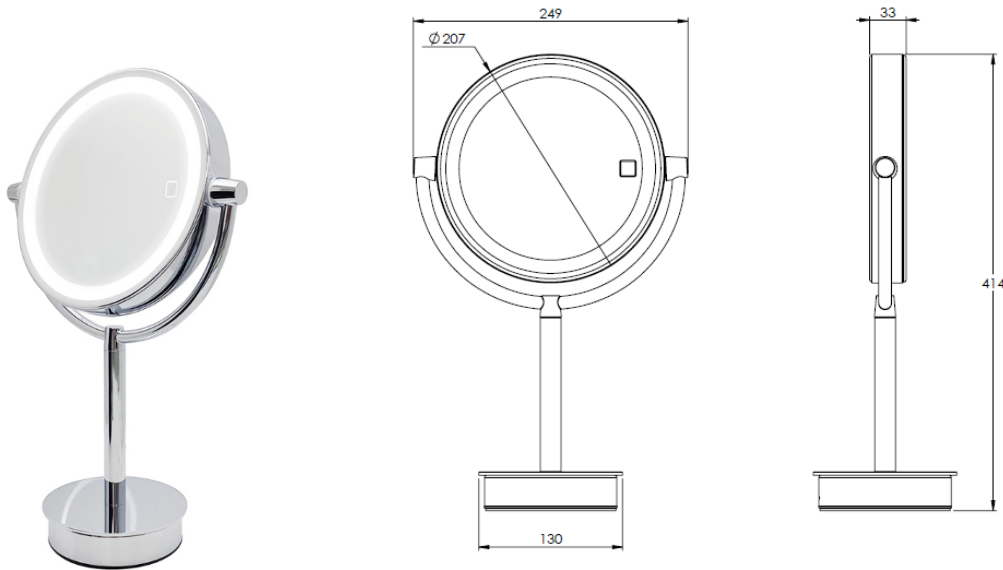


8" Double Sided Recharge Table Mirror

Model # ATED20SKTR (Chrome)

02 Jan

2026



Features:

- Suitable for daily makeup, tweezing, shaving, face cleaning and flossing.
- 360-degree rotation and fit for use on difference angle.
- Plain 1x mirror for normal use and True 5x sphere concave magnifying mirror.
- Natural white light, no color shifting, not bluish or yellowish.
- Automatic turns off in 5 minutes, energy saving.
- Optical quality mirror without distortion image, no pin holes or chip on edge.
- Full diffused ring light with no shadow or glare.
- Durable LED, last more than 50,000 hours.
- True color on face, color rendering index: over 95% sunlight spectrum.
- Brightly polished durable chrome finishing, ever-lasting shininess.
- Fully replaceable mirror set for hassle-free maintenance.

Specification:

LED : Full sunlight spectrum, CRI 95, 5000K

Diameter : 207mm (8")

Height : 414mm

Mirror : 1X, 5X (460R)

Touch switch : Holding switch for dimming
Light setting is memorized
5 min Auto Off

Power by : Recharge Lithium ion battery with 6600mAh (Replaceable)

Charging : 1.5 M Type C charging cable included double protection charging circuit

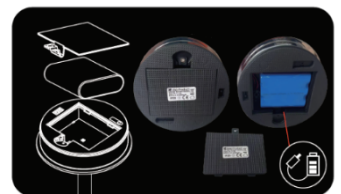
Finishing : Chrome



Type C charging port with Red, Yellow, Green indicator



Dimmable:
Brightness Changes
(Touch & Hold)



Replaceable Lithium ion battery
One charge last for 4 weeks