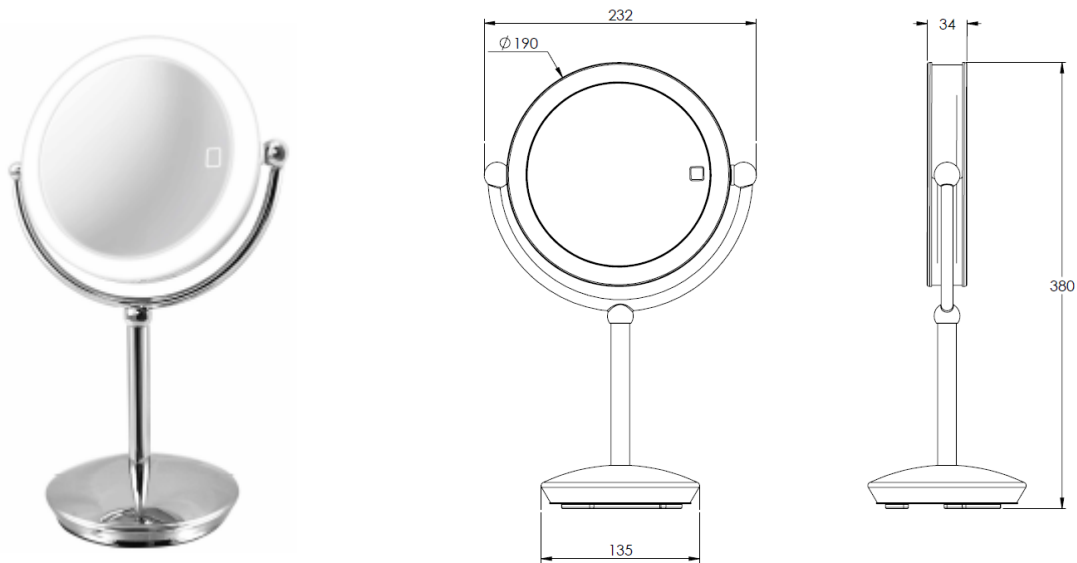


# 7.5" Touch Double Sided LED Table Mirror

Model # ATED19ST51 (Chrome) (Battery Operated)

05Nov 2025



## Features:

- Round acrylic diffuser lens avoids shadow and direct glare.
- 1x plain mirror for normal use, and 5x magnifying mirror for detailed makeup and shaving.
- 360-degree rotation and fit for use on difference angle.
- Automatic turns off in 5 minutes, energy saving.
- Natural white light, no color shifting, not bluish or yellowish.
- Optical quality mirror without distortion image, no pin holes or chip on edge.
- Color rendering index: over 95% sunlight spectrum.
- Durable LED, last more than 50,000 hours.
- Brightly polished durable chrome finishing, every-lasting shininess.
- Fully replaceable mirror set for hassle-free maintenance

## Specification:

LED	: Full sunlight spectrum, CRI 95, 5000K
Diameter	: 190mm (7.5")
Height	: 380mm
Mirror	: 1X,5X (460R)
TouchSwitch	: Holding switch for dimming Light setting is memorized 5 mins Auto Off
Powered By	: 4pcs AA Battery (not included)
Finishing	: Chrome

